

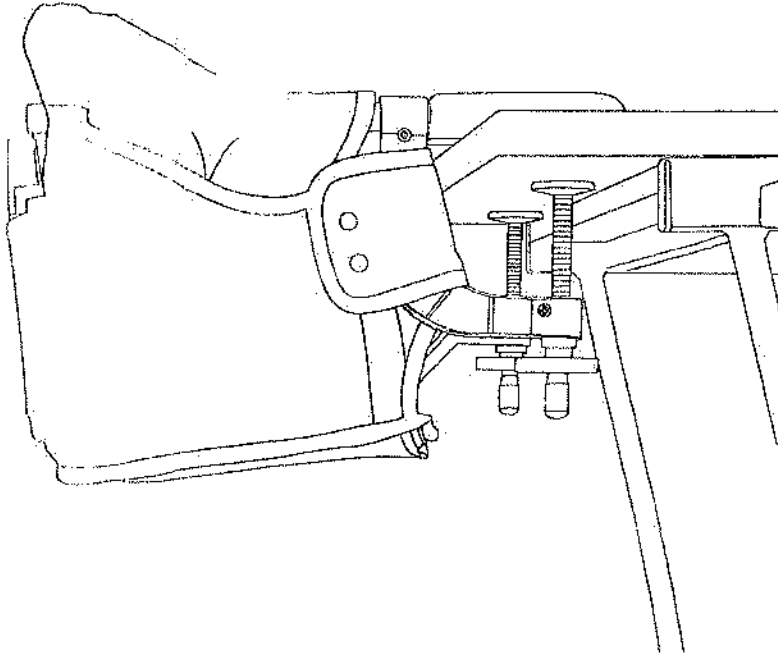
Toogel

SHREWSBURY PUBLIC LIBRARY



38124001781529

Model: TC08-A



Portable Child Table Clamping Chair

User Manual

✉ support@joesoon.com

Warning

Please strictly follow all warnings and instructions. Failure to follow all warnings and instructions could result in serious injury or death.

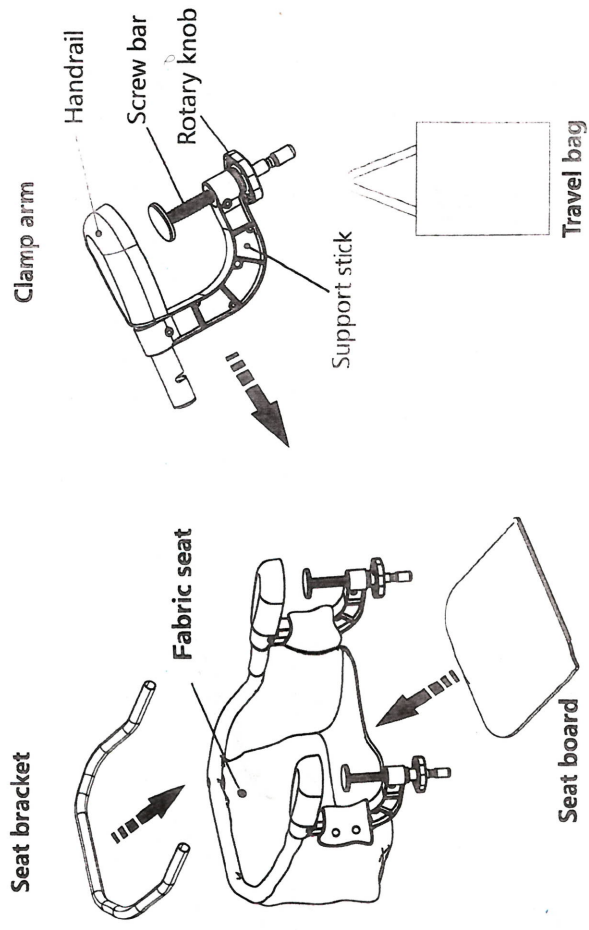
Fall hazard

- To avoid falls,
- ALWAYS check if the clamping chair assembled correctly and safely before usage with child.
 - ALWAYS use all restraints, and adjust restraints to fit snugly.
 - ALWAYS keep child in view.
 - Check stability of table before and after seating child, to prevent tip over.
 - Never use with glass table top, loose table top, single pedestal table, card table, table leaf, table cloths or placemats.
 - Never use with ordinary chair underneath.

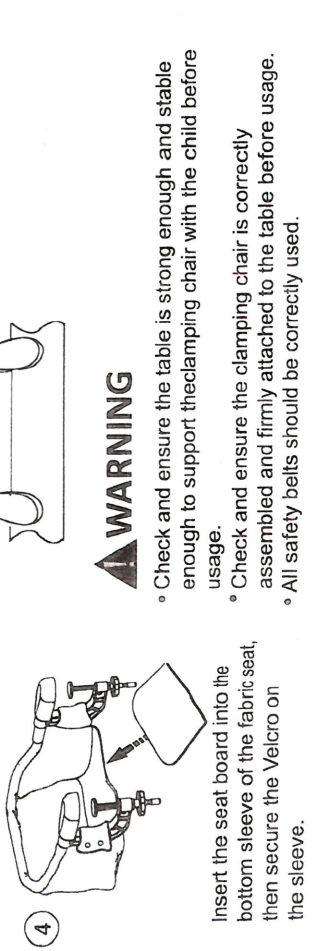
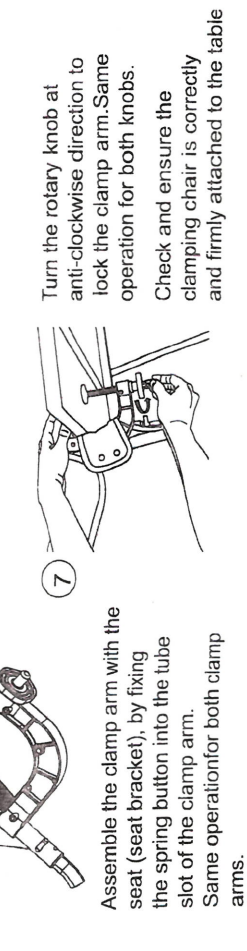
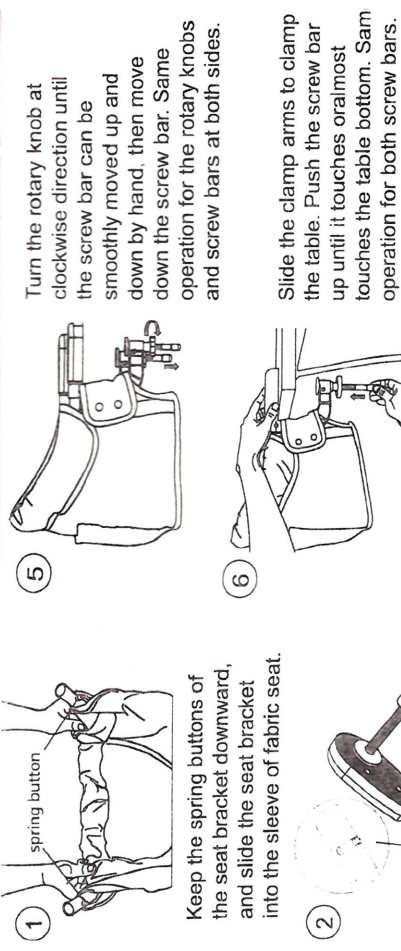
Usage advices

- Table thickness from 0.79 to 3.15 in. (20 to 80mm).
- Child who can sit upright without help.
- Child age: 6 months ~ 3 years.

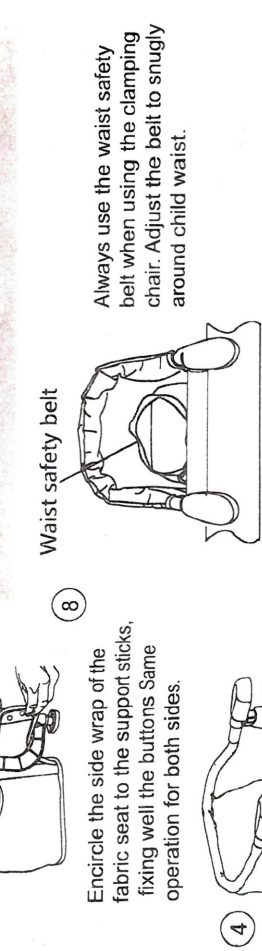
Components



How to Attach



How to use

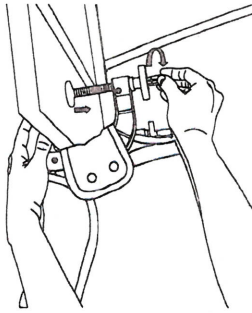


WARNING

- Check and ensure the table is strong enough and stable enough to support the clamping chair with the child before usage.
- Check and ensure the clamping chair is correctly assembled and firmly attached to the table before usage.
- All safety belts should be correctly used.

How to Remove

9

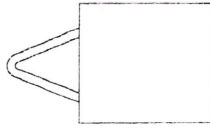


Take off the child from the clamping chair.

Unlock the rotary bar of the clamp arm by turning at clockwise direction until the screw stick can be freely pulled down. Then pull down the screw stick. Same operation for both clamp arms.

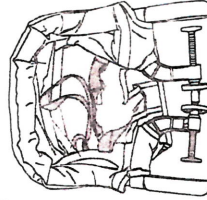
Slide out the clamping chair from the table.

10



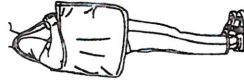
Take out the travel bag from the back of the fabric seat.

12



Rotate both clamp arms to fold the clamping chair.

13



Put the folded clamping chair into the travel bag for easy carry and easy storage.

- Check the condition of the straps and buckles frequently and keep them tight. Failure to keep the straps and buckles properly secure may result in serious injury or death. In the event that any portion of the chair body, parts or buckles become worn, cracked or broken discontinue use immediately. Using the chair with broken or worn parts may result in serious injury or death.
- NEVER place the chair or any of its straps or buckles in the dishwasher. Hand wash only.
- To clean the chair, parts, straps and buckles, use warm water with a nonabrasive sponge, brush or cloth. The fabric seat is hand washable. COMPLETELY AIR DRY all surfaces and parts of the chair before using. Wet surfaces or parts will cause slips and falls that may result in serious injury or death.